

10.00mm(.400") Wire To Wire And Wire To Board Connector



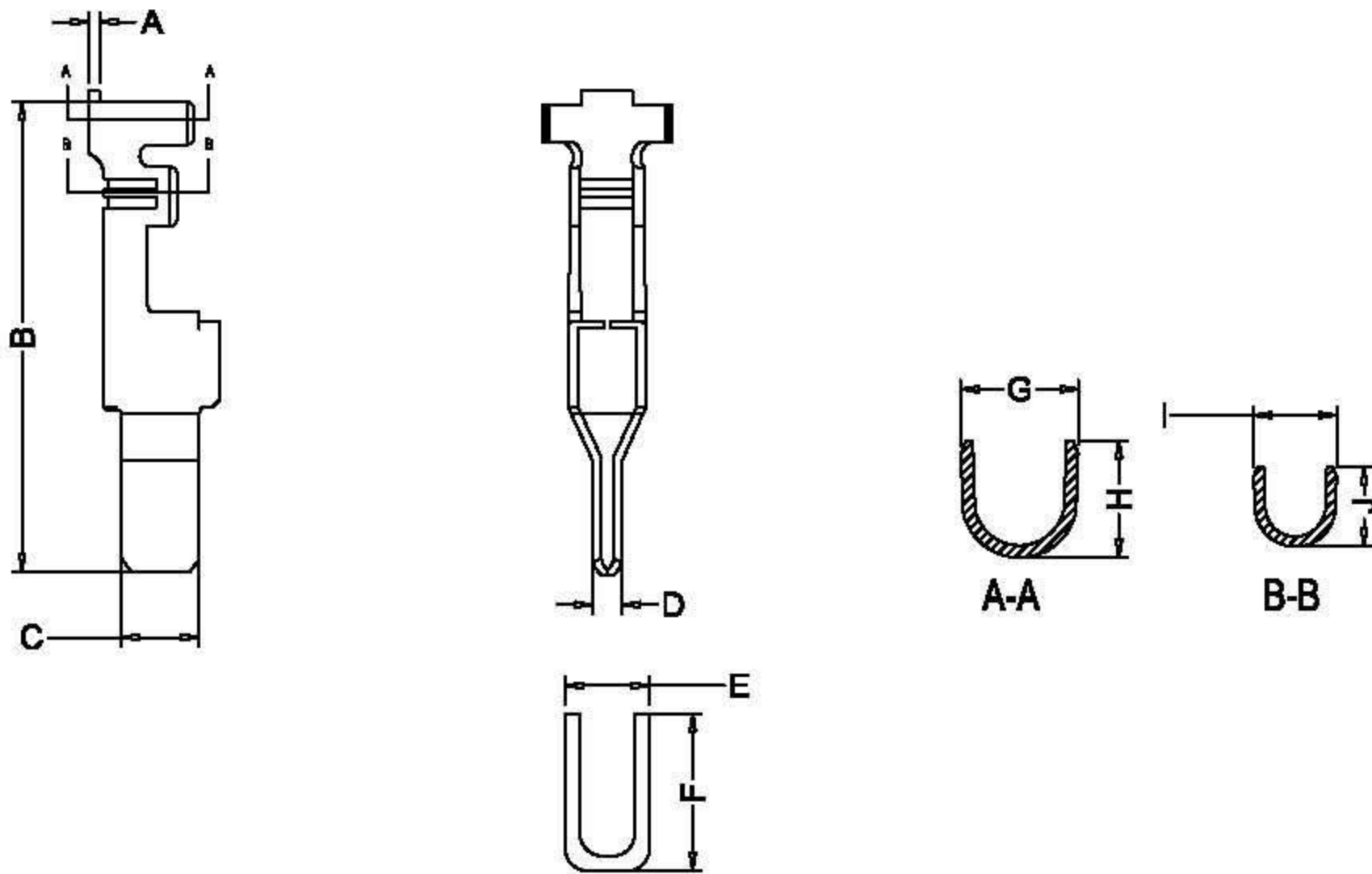
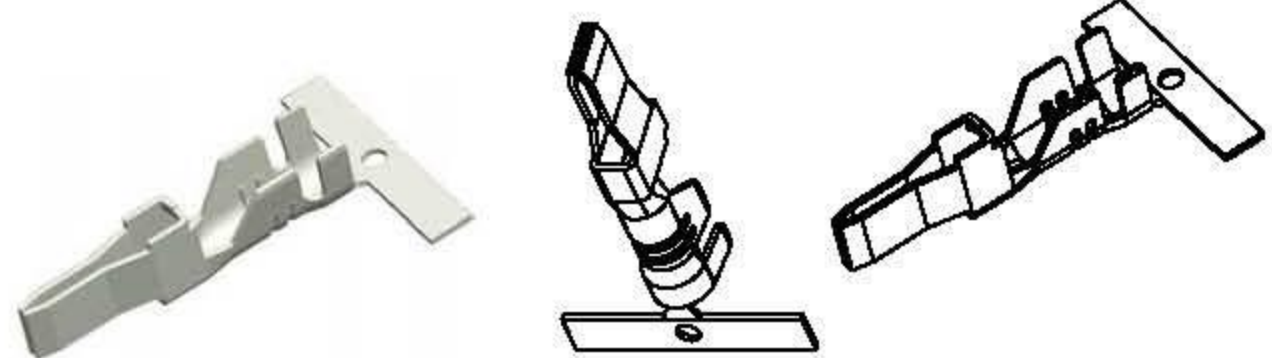
Connector & Terminal

Shenzhen Hongru Connector Co., Ltd

Email:yukyli@hrb-connector.com
Tel: 86-0755 2709 6669
Fax: 86-0755 2709 2392
Skype: haiyuncheng-vivian
Mobile(whatsapp): 86-186 8112 3590
Website: <http://www.hrb-connector.com>

SPECIFICATIONS:

- Current rating:AWG#8:48A AC,DC AWG#10:40A AC,DC
 AWG#12: 32A AC,DC AWG#14: 25A AC,DC
 AWG#16: 20A AC,DC
- Voltage Rating:600V AC,DC
- Contact Resistance:20mΩ max.
- Withstanding Voltage:1000MΩ AC/minute
- Part NO:T9920PS-2
- Part NO:T9920PS-00(Gold Plated)
- Part NO:T9920PS-15U(15U Gold Plated)
- Part NO:T9920PS-30U(30U Gold Plated)
- Function Of Local Gold-Plated
- Material: Copper Alloy
- Wire Size:AWG#8~#16
- Use With:P9920-N
- GWT:750°C IEC-60335-1



Ordering Information And Dimensions

Part NO.	A	B	C	D	E	F	G	H	I	J	Applicable Wire	Q'ty
T9920PS-2	0.50	27.60	4.80	2.00	3.80	7.10	5.94	5.69	3.80	3.92	AWG#14-#16	1500PCS
T9920PS-2A	0.50	27.60	4.80	2.00	3.80	7.10	5.90	6.60	5.40	6.10	AWG#8-#12	1500PCS

PART CODE INFORMATION

XXXX XX - X

I II III

I-T9920 Denoting series designation.

II-PS denoting Copper Alloy of body

III-2 or 2A, Denoting different of body construction