

2.54mm(.100") Wire To Wire And Wire To Board Connector

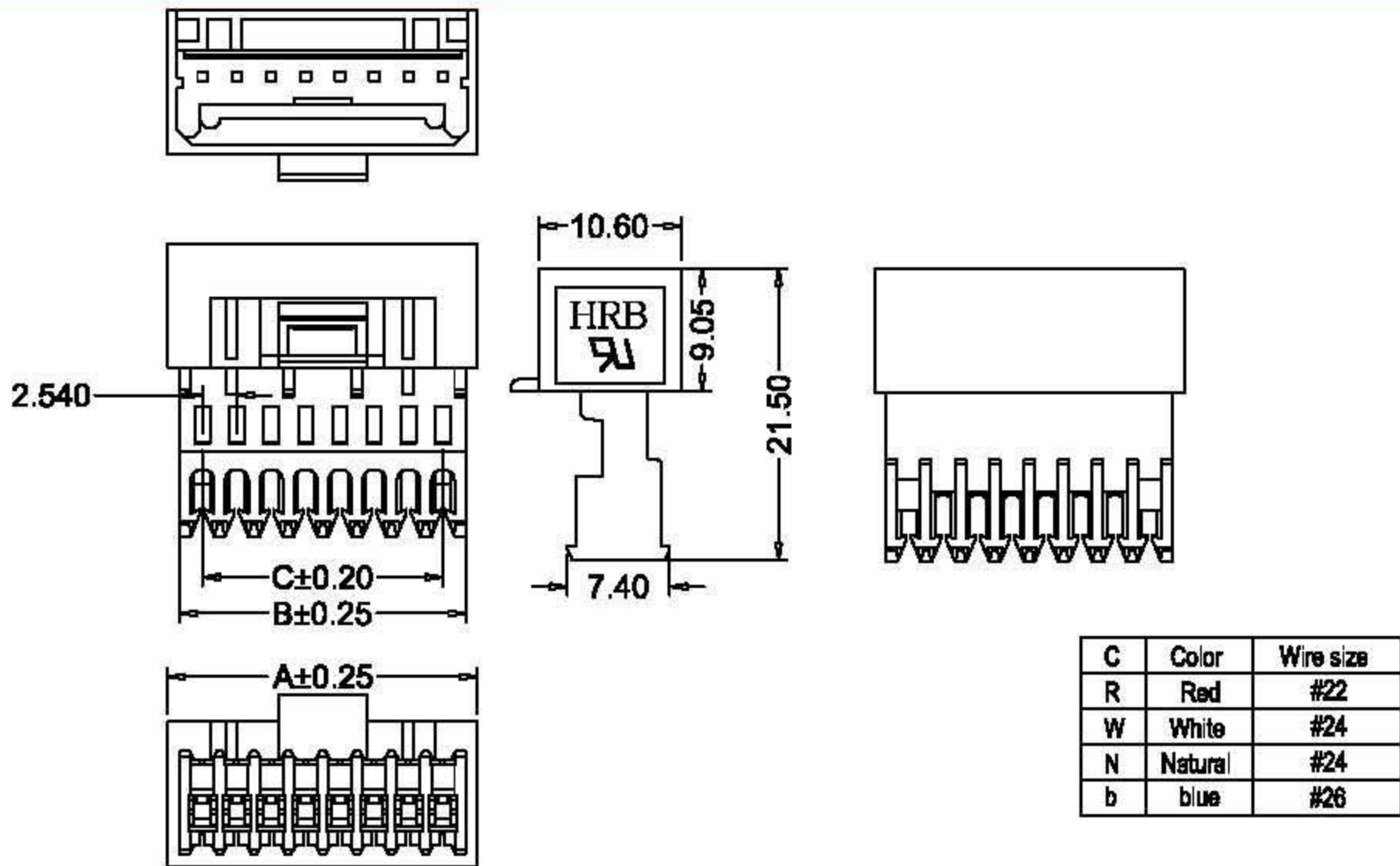
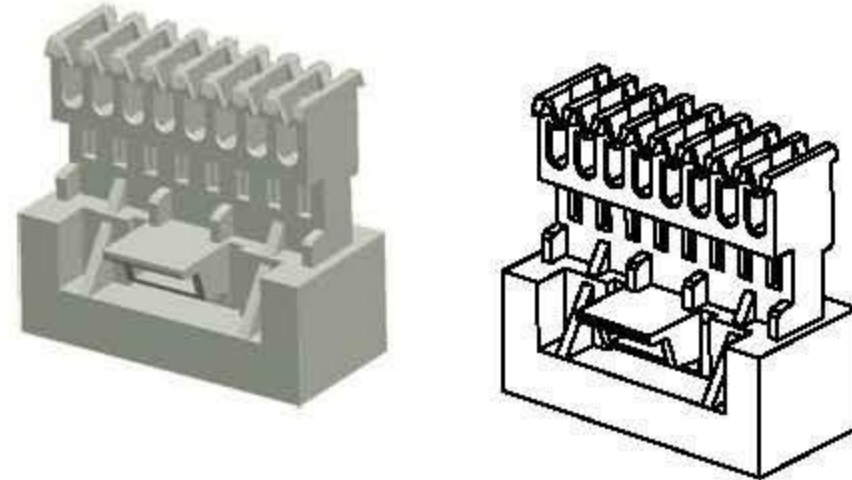


Shenzhen Hongru Connector Co., Ltd

SPECIFICATIONS:

- Current Rating: 4AAC, DC
- Voltage Rating: 250V AC, DC
- Temperature Range: -25°C ~ +85°C
- Contact Resistance: 6mΩ max.
- Insulation Resistance: 5000MΩ Min.
- Withstanding Voltage: 750V AC/minute
- Material: Housing: Nylon66 UL94V-2
Terminal: Phosphor bronze, Tin plated
- File No: E304945

Email: yukyli@hrb-connector.com
 Tel: 86-0755- 2709 6669
 Fax: 86-0755-2709 2392
 Skype: haiyuncheng-vivian
 Mobile(Whatsapp): 86-186 8112 3590
 Website: <http://www.hrb-connector.com>



Ordering Information And Dimensions

Part NO.		Dimensions			Part NO.		Dimensions		
TYP UL94V-2	Circuits	Dim:A	Dim:B	Dim:C	TYP UL94V-2	Circuits	Dim:A	Dim:B	Dim:C
M2040-2-C(T)	2	7.62	5.77	2.54	M2040-10-C(T)	10	27.94	26.09	22.86
M2040-3-C(T)	3	10.16	8.31	5.08	M2040-11-C(T)	11	30.48	28.63	25.40
M2040-4-C(T)	4	12.70	10.85	7.62	M2040-12-C(T)	12	33.02	31.17	27.94
M2040-5-C(T)	5	15.24	13.39	10.16	M2040-13-C(T)	13	35.56	33.71	30.48
M2040-6-C(T)	6	17.78	15.93	12.70	M2040-14-C(T)	14	38.10	36.25	33.02
M2040-7-C(T)	7	20.32	18.47	15.24	M2040-15-C(T)	15	40.64	38.79	35.56
M2040-8-C(T)	8	22.86	21.01	17.78	M2040-16-C(T)	16	43.18	41.33	38.10
M2040-9-C(T)	9	25.40	23.55	20.32	M2040-17-C(T)	17	45.72	43.87	40.64

